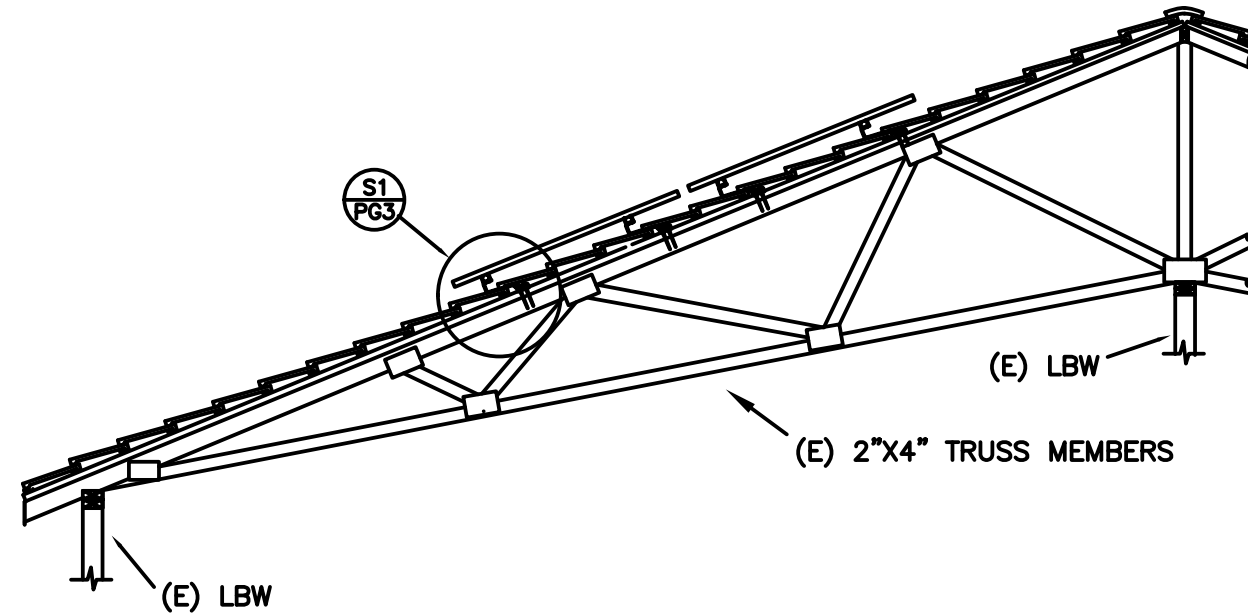


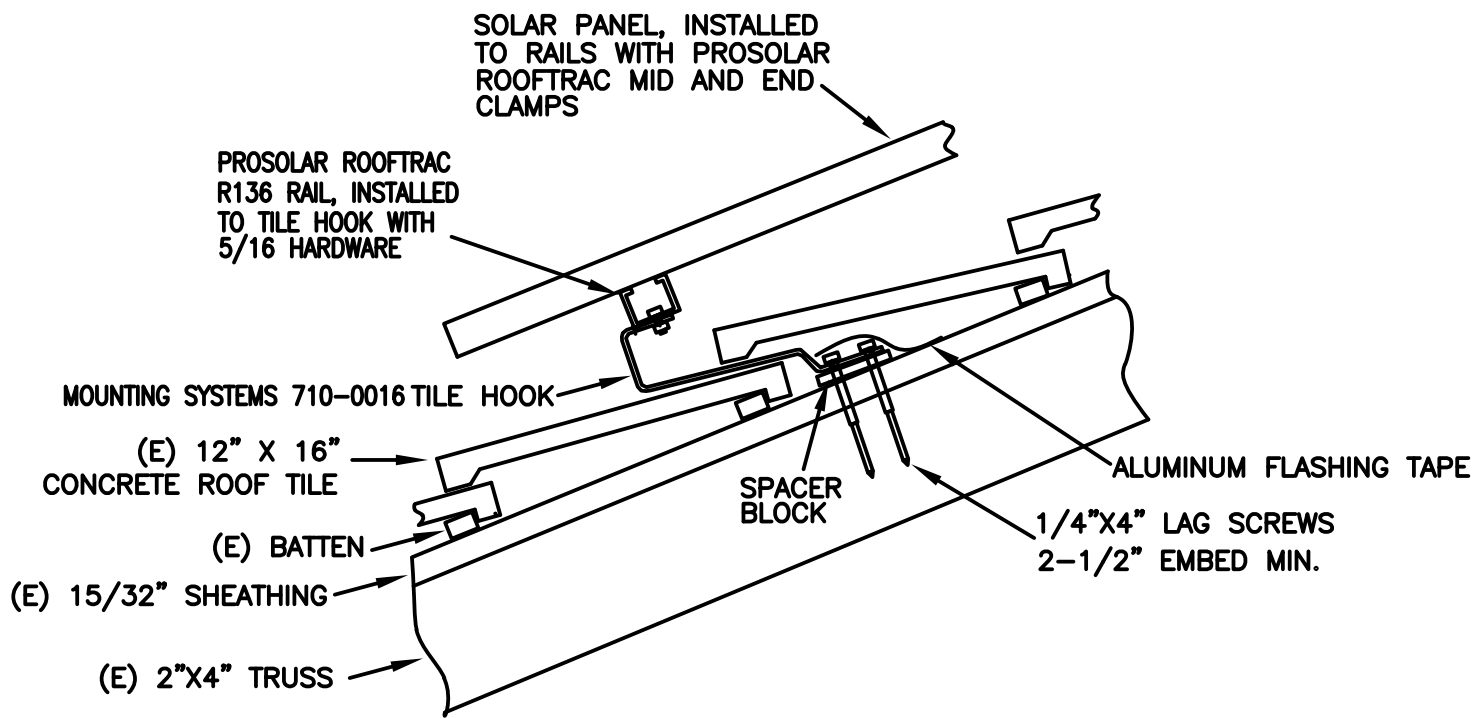
**B** FRONT VIEW OF SOLAR ARRAY

SCALE: 1/2" = 1'-0"



**A** SIDE VIEW OF SOLAR ARRAY

SCALE: 1/4" = 1'-0"



**S1** STANDOFF

SCALE: 1-1/2" = 1'-0"

**STANDOFF INSTALLATION:**

1. REMOVE TILE OVER STANDOFF MOUNTING LOCATION.
2. DRILL PILOT HOLES THROUGH ROOFING FELT, SHEATHING AND INTO TRUSS.
3. FILL PILOT HOLE WITH SEALANT.
4. APPLY SEALANT TO TILE HOOK AND SPACER BLOCK, INSTALL WITH 1/4"x4" LAG SCREWS.
5. APPLY ALUMINUM FLASHING TAPE TO TILE HOOK.
6. RE-INSTALL TILE.

STRUCTURAL VIEWS			
DOLD RESIDENCE			
SOLAR ARRAY INSTALLATION			
ENG: DOLD	DR: DOLD	DATE: 1/20/2014	
SCALE: VARIES			
SUBSTANDARD CONSTRUCTION		SIZE	REV
		B	A
		SHEET: PG3	